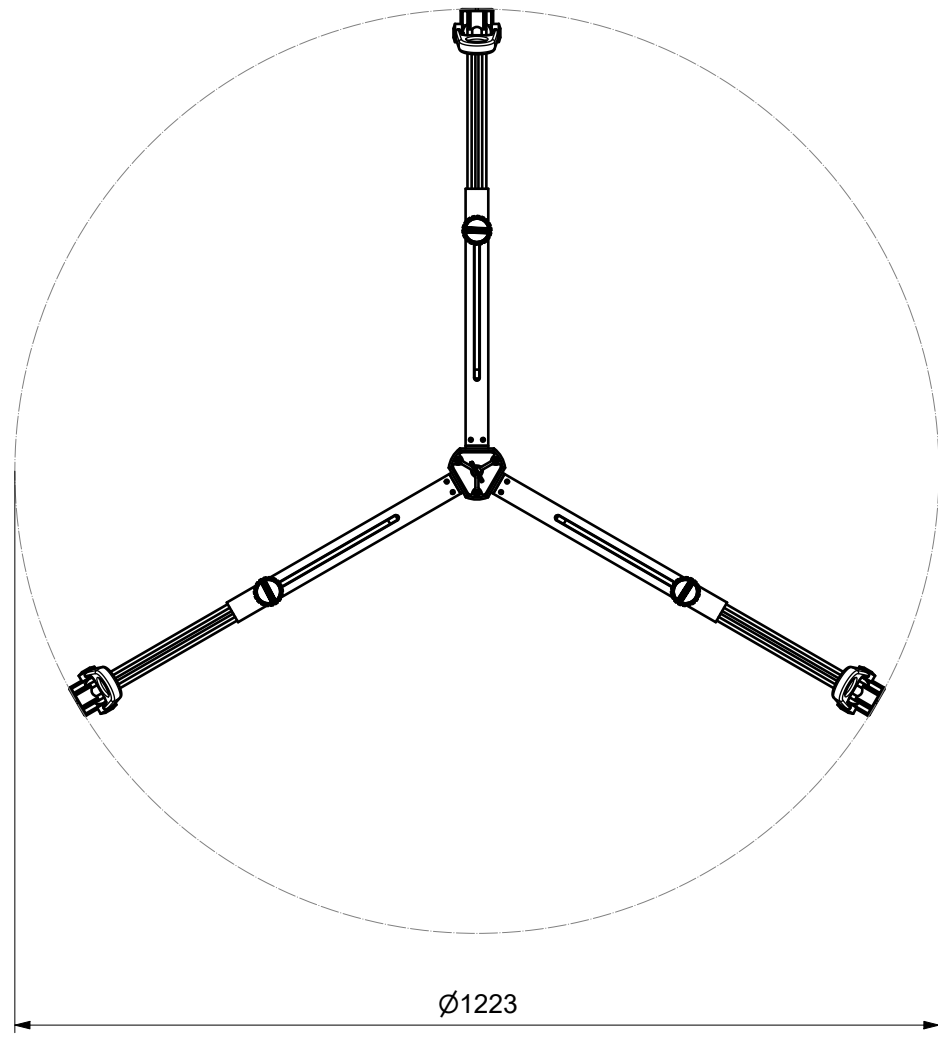
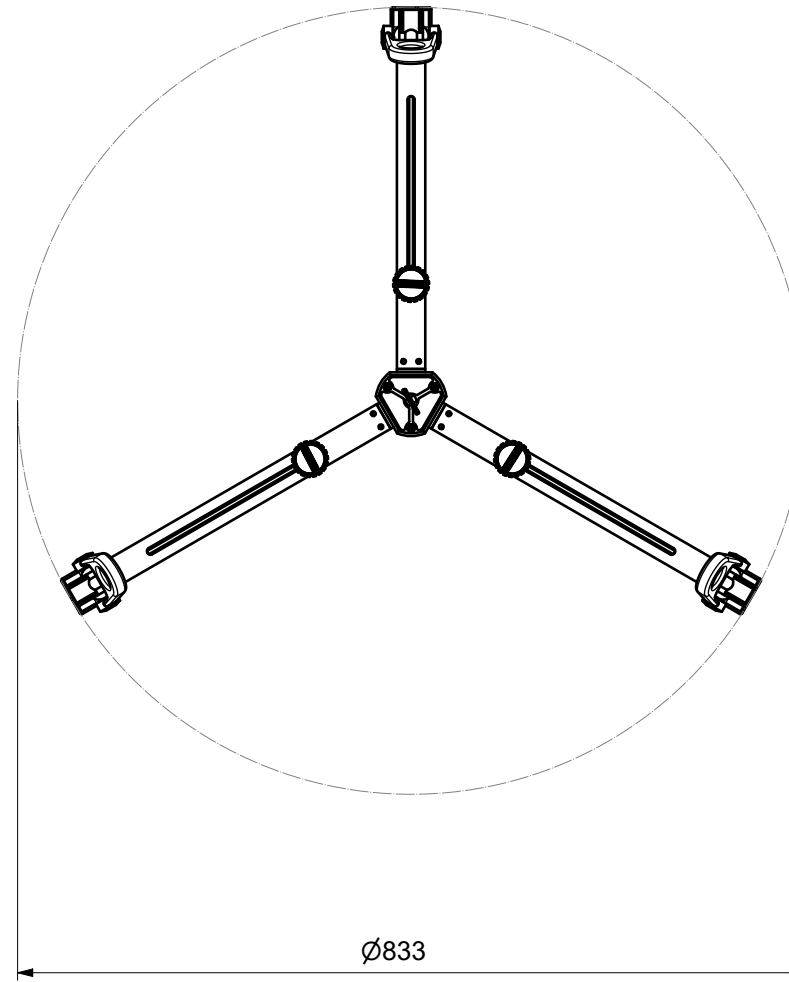


6 5 4 3 2 1

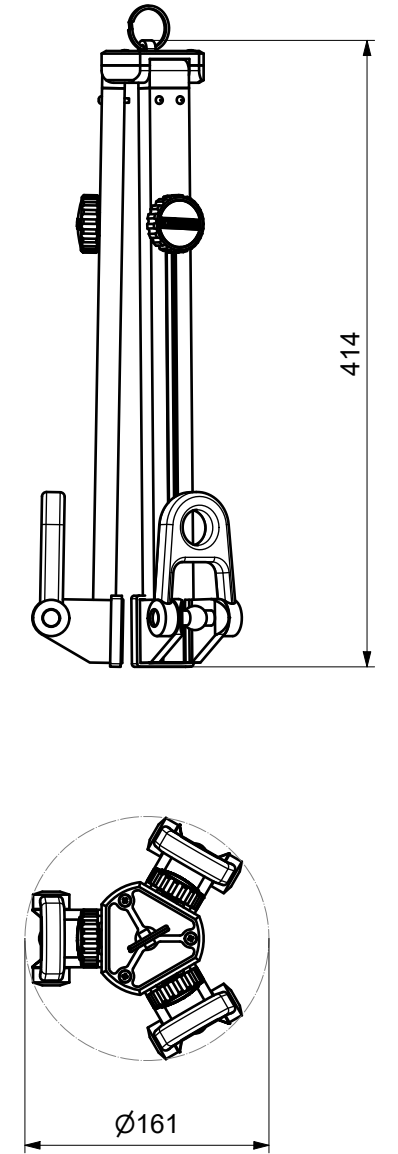
Footprint diameter - OPEN
(1 : 10)



Footprint diameter - CLOSED
(1 : 8)



Transport
(1 : 5)



D
C
B
A

D
C
B
A

6 5 4 3 2 1