

Ethernet DIP Switches



DIP Switch 1 and **DIP Switch 2** are used in conjunction with the DashBoard menus to set the IP Address of the MC1-PANEL-16. Please leave **DIP Switch 3** and **4** in their default (UP) positions.

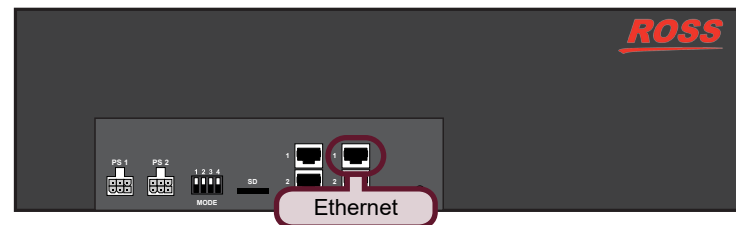
DIP Switch 1 and 2 Positions for IP Address Setup

DIP Switch 1	DIP Switch 2	Description
UP	UP	Custom User Setup via DashBoard
UP	DOWN	Automatic Setup using DHCP
DOWN	UP	IP Address is 192.168.2.10 Subnet Mask is 255.255.255.0
DOWN	DOWN	IP Address is 10.1.2.10 Subnet Mask is 255.255.255.0

Refer to the *MC1-PANEL-16 User Manual* for more information.

Note: Ross Video strongly recommends installing your Master Control System on a network that is segregated from your facility LAN.

Ethernet Cabling

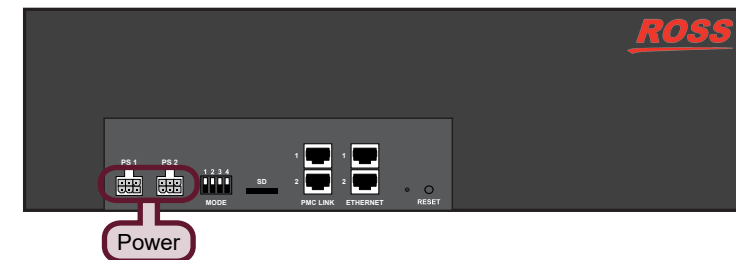


You will require a standard network CAT-5 cable to connect the MC1-PANEL-16 to your facility network. Ensure to use only the Ethernet 1 port.

Note: The Ethernet 2 port is not implemented.

Note: Refer to the MC1-PANEL-16 User Manual for details on verifying and troubleshooting your ethernet connection.

Power Connections



The MC1-PANEL-16 comes standard with one power supply. For redundancy, and in applications where the equipment is used in a critical signal path, we recommend that two power supplies be used with the MC1-PANEL-16.

Note: The MC1-PANEL-16 powers on automatically when the power supply is plugged in.

Note: If you are not installing the redundant power supply, the message "PSU 2" is reported on the panel display. To disable this message, navigate to the Alarm Enables tab in DashBoard and de-select the PSU2 Voltage Out of Range check box.

Specifications

SDI Input Formats

480i 59.94Hz
576i 50Hz
720p 59.94Hz
720p 50Hz
1080i 59.94Hz
1080i 50Hz

Temperature

Operating:	0 - 40°C (32 - 104°F)
Storage:	-20 - 85°C (-4 - 185°F)

Panel Power Consumption

MC1-PANEL-16	<30W
---------------------	------

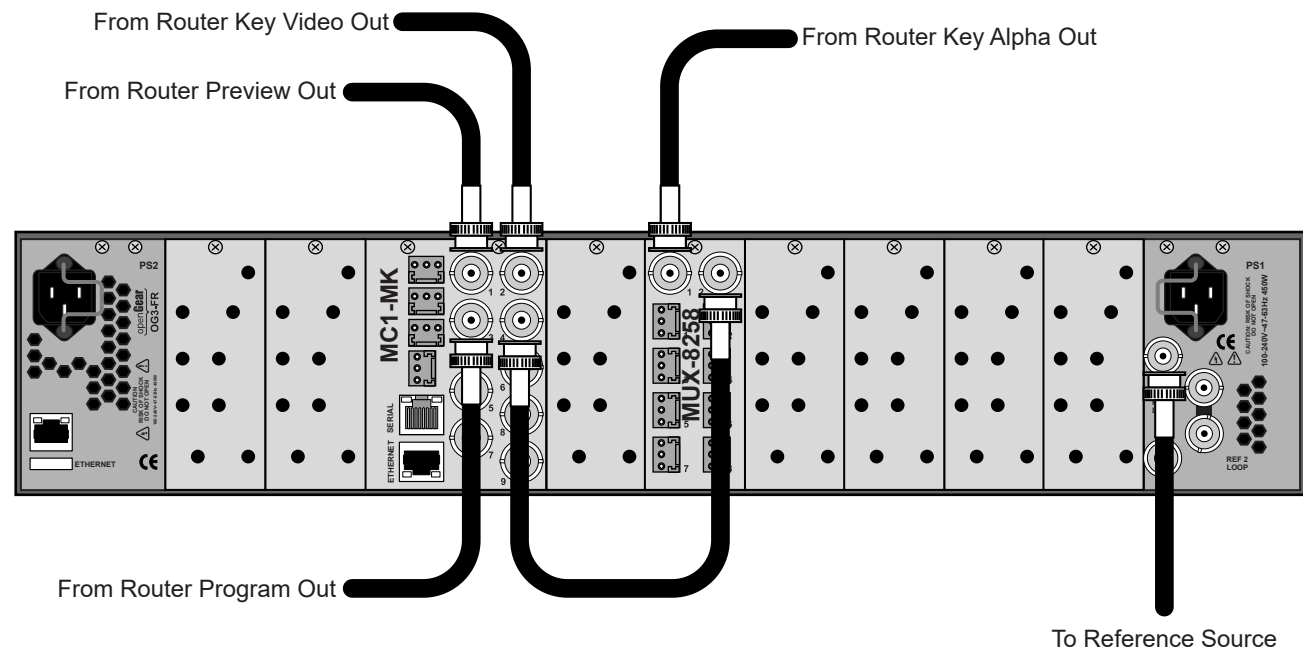
Input Voltage

Power Rating	100-120V~
	220-240V~
	47-63Hz

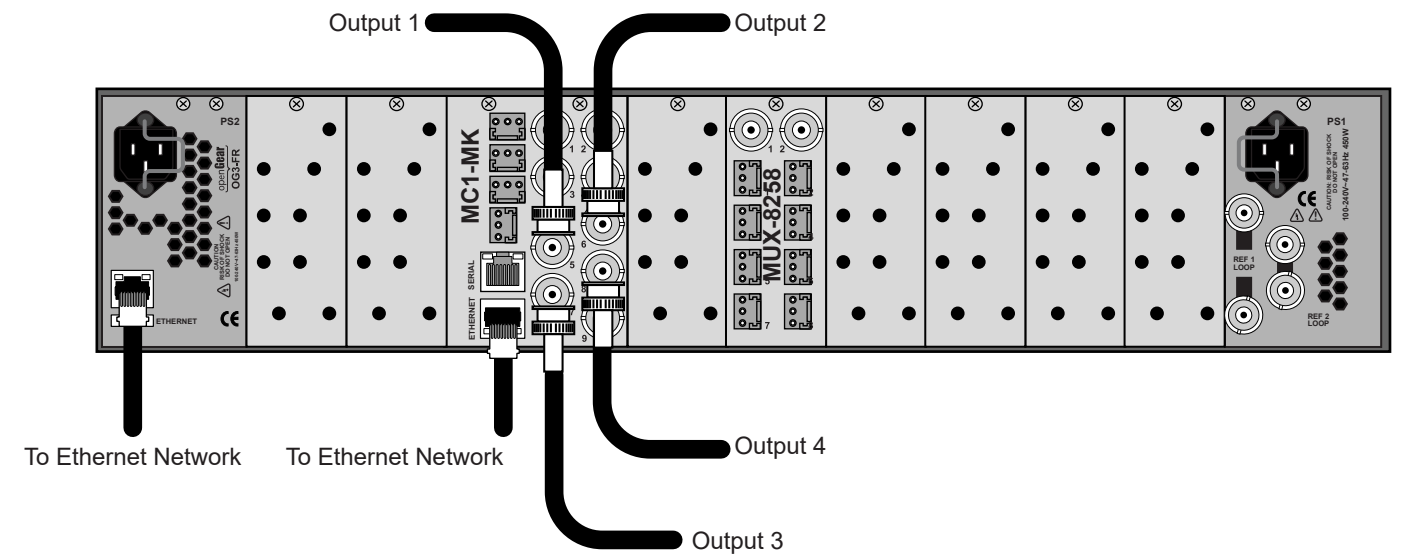
Default Values

Ethernet Method	DHCP
PSU Alarm Enable	Selected
Edit Permission	Unlocked

Input and Reference Cabling



Output and Ethernet Cabling



Note: This illustrates cabling for one MC1-MK card and one MUX-8258 card in an OG3-FR series frame. Your setup requirements may differ than what is presented here. The MUX-8258 is optional.

Specifications

SDI Output Formats
480i 59.94Hz
720p 59.94Hz
1080i 59.94Hz
576i 50Hz
720p 50Hz
1080i 50Hz

Default Values	
Ethernet Method	DHCP
Reference Input	Frame 1
Output 1	Program
Output 2	Program
Output 3	Preview
Output 4	Clean Feed 1
Remote Control	
Serial	Disabled
Ethernet	Disabled
Embedded Audio	All groups enabled
Edit Permission	Unlocked

Maximum Power Consumption	
OG3-FR Frame	Sum of both PSU not to exceed 375W
MC1-MK	22W

Temperature	
Operating:	0 - 40°C (32 - 104°F)
Storage:	-20 - 85°C (-4 - 185°F)

Video Input Specifications	
Impedance	75ohms
Return Loss	SDI IN 1: 15dB to 1.5GHz SDI IN 2-4: >15dB to 1.5GHz
Equalization (using Belden 1694A cable)	SD: 120m HD: 100m

Video Output Specifications	
Impedance	75ohms
Return Loss	SDI OUT 1: 15dB to 1.5GHz SDI OUT 2-4: >15dB to 1.5GHz
Signal Level	800mV +/- 10%
DC Offset	0 +/- 50mV
Rise and Fall Time	SD: 900ps typical HD: 150ps typical
Overshoot	75ohm



Having a problem? Call our free, 24-hour technical support hotline to speak with a live product specialist located right here in our facility.

Tel: (+1) 613 • 652 • 4886

Email: techsupport@rossvideo.com