

MOTIX

Lithium Battery Charger
MC-2SG
Ver:B

USER MANUAL

IDX System Technology, Inc.

Service Center Location
IDX System Technology
24422 S Main St Suite #502
Carson, CA 90745
TEL: 1-310-328-2850
www.idxtek.com

Congratulations on your purchase of this product. Please read this user manual carefully.

Warning

- ◆ Never expose the battery charger to rain or moisture.
- ◆ Never attempt to open the battery charger, please contact the local agent if have problems.
- ◆ Never use metal or other conductors to touch the inside of the battery charger.
- ◆ Never short-circuit the battery charger terminals.
- ◆ Please make sure the voltage range is fit for the battery charger.
- ◆ Please use the power adapter provided by the manufacturer in order to avoid damage.
- ◆ Never use the battery charger if it is already damaged.

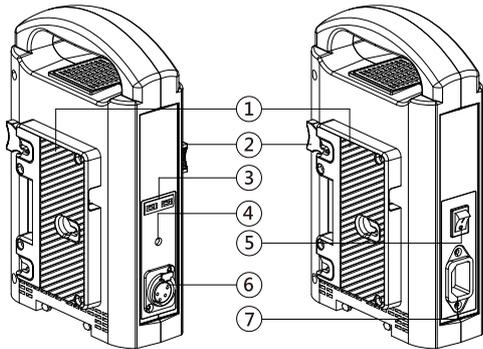
Caution

- ◆ Only limited to charge specified battery(ies), it may cause danger if charge other battery(ies) due to incompatibility problem.
- ◆ Only work in the temperature between 0°C~45°C.
- ◆ Keep the terminals clean and ensure the reliable connection.
- ◆ It is normal phenomenon that the battery charger may become warm in use.
- ◆ Please unplug the power lead if the battery charger is not used for a long time.
- ◆ Do not cover the cooling vent.
- ◆ Please do not put the battery charger in unstable place, it may fall and cause serious damage.
- ◆ Store the battery charger in cool, dry and clean place.

Features

1. 2-channel independent charging and controlling system, capable of 3A charging two batteries simultaneously.
2. One channel AC-DC adaptor output via 4-pin XLR, maximum power output reaches 90W.
3. LED lights indicate the real-time working status.

Product appearance



- ① Charging channel (Gold mount)
- ② Battery release button
- ③ Charging LED indicator
- ④ Adapting LED indicator
- ⑤ Power switch
- ⑥ 4-PIN XLR DC output socket
- ⑦ Power input socket

Adapting output

The MC-2SG offers one channel 4-pin XLR adapting output.

1. Connect with power lead, turn on the power switch, and the adapting LED indicator will light on.
2. Connect the adapting output to power consuming equipment;

Note:

1. When adapting output, please make sure the voltage and power of the power consuming equipment meet the requirement (15V, 6A).
2. MC-2SG does not support charging and adapting output at the same time. If channel(s) are inserted with battery(ies) during charging, there will be no DC output. When no battery is mounted, there will be adapting output.

Specifications:

Input	100~240VA, 50/60Hz
Power	138W(Max)
Charging Output	DC 16.8V, 3A(Max) × 2
Adapting Output	DC 15V, 6A(Max)
Working Temperature	0°C~+45°C
Working Humidity	10%~90%
Dimension	228mm × 140mm × 86mm
Weight	Appx 1.0kg

Charging

Two charging channels are independent channels and can charge simultaneously.

1. Connect with power lead, turn on the power switch
2. Mount battery(ies) onto the charging channel(s), and it starts to charge the mounted battery(ies) simultaneously. The LED light(s) of the related charging channel(s) will indicate like these:
Red: the battery capacity is below 100%
Green: fully charged
Red flash: the charging may have problem
3. When full charged, press battery release button and take out the battery(ies).