

# LC-2J

## 7.4V 2ch Simultaneous Charger

PROSeries

### Instruction Manual

Thank you for purchasing the LC-2J 7.4V 2 channel Simultaneous Charger. Prior to using the charger, IDX recommends to read this Instruction Manual and keep this manual for future reference.

#### ⚠ WARNING

##### May cause sudden serious injury and death

- Do not connect to an AC power source that exceeds the voltage specification stated on the unit.
- Use only with the compatible batteries listed in this manual.
- Do not short the contact pins with any metal object.
- Do not carry or store with metal equipment.
- Do not immerse in water.
- Do not attempt to open the outer casing or break apart.
- Do not subject the unit to extreme physical impact or pressure, or place any object across the terminals that could cause it to short.
- Do not attempt to use if damaged.
- Protect the power cord from any damage.

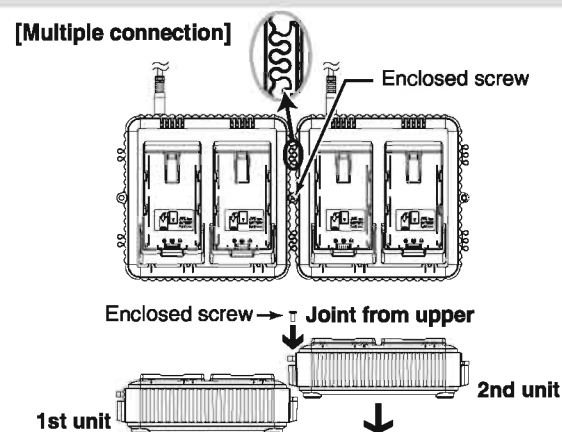
#### ⚠ CAUTION

##### May cause sudden serious injury and death

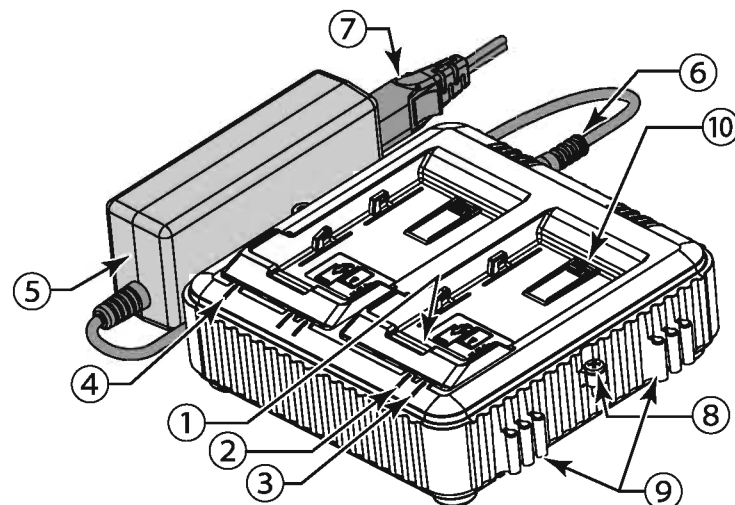
- The unit should be used under the conditions listed in this manual.
- Do not expose the unit to extremely high temperatures.
- Do not cover the ventilation holes.
- Do not carry or transport the unit when multiple chargers are attached.
- Use the approved power cord / appliance connector / plug conforming to the proper ratings (voltage, ampere) and safety regulations of each country if applicable.
- Keep the unit away from excessively dry or humid environments.

#### Features:

- Universal AC input for world-wide use.
- Dual battery with quick charge.
- Auto safety & protection features .
- Capable of multiple set-up. Tighten a enclosed screw to hold in position.



#### Location and function of parts:



- ① Charging connector
- ② Charge (CHG.) LED
- ③ Charge complete (CHG COMP.) LED
- ④ Power (POWER) LED
- ⑤ AC adaptor
- ⑥ DC plug / DC cable
- ⑦ AC plug / Power cord
- ⑧ Enclosed screw
- ⑨ Multiple connector
- ⑩ Battery lock block

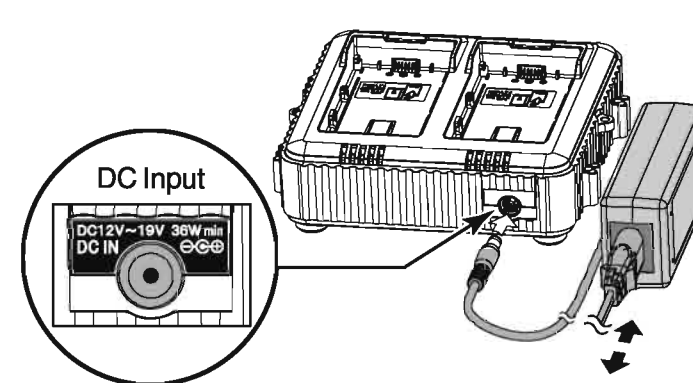
#### Compatibility: (as of March 2012)

- IDX: SSL-JVC50

#### Operating instructions:

##### ① Connect the cables

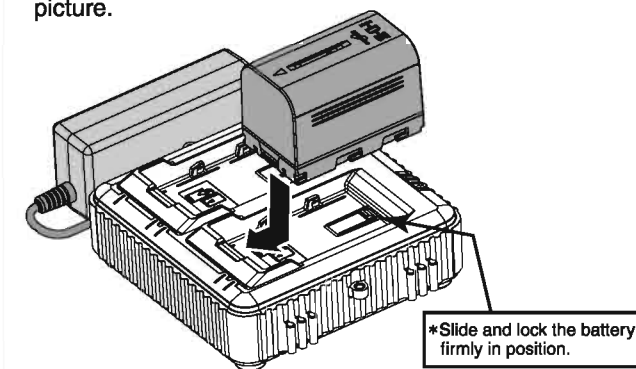
1; Connect a DC plug to the charger.



2; Connect the AC plug to a mains power terminal. The unit and the LED will be powered on automatically when it is plugged.

##### ② Set the battery pack

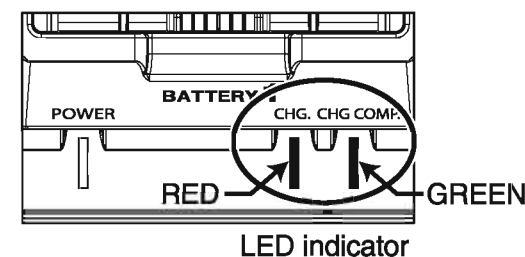
1; Set the battery pack to the charger as indicated in the picture.



2; When the battery pack is set, a status LED will be turned ON. If the condition of the battery is OK, automatically start charging.

##### ③ Status LED indicator

1; When the battery pack is set, the status LED will be turned ON. If the condition of the battery is OK, a LED will turn solid red and start charging. If the charger detects a fault, it will stop charging.



2; Charging will automatically stop when the battery is fully charged.

\* Charger will not charge when the battery remains more than 95% of capacity. If 100% of charge is required, please discharge until capacity becomes less than 95% prior to re-charge.

##### CHG. LED indicator states (Red LED)

Indication	CHG.LED	Status
Solid Red	■	Quick charge in progress ※Refer to CHG COMPLETED indicator states for the capacity of battery
Flashing Red	■	Fault detected

##### CHG COMP. LED indicator states (Green LED)

Indication	CHG COMPLETED	Status
Off	□	Battery capacity : less than 25%
Flashing once	■	Battery capacity : 25~49%
Flashing twice	■ ■	Battery capacity : 50~74%
Flashing 3 times	■ ■ ■	Battery capacity : more than 75%
Solid Green	■	Charge complete*

##### ④ Remove the battery pack

Slide the battery back and remove from the battery socket.

#### Specifications:

Voltage for AC adaptor: 100 - 240V AC, 50/60Hz Automatic

Voltage for charger: 12 - 19V DC

Power consumption: 36W max.

Operating temperature: 0 ~ 60°C / 32 ~ 140°F

Charging method: Constant current and constant voltage with temperature detection

Charging current: 1.6A

Protection circuit: Low voltage charging, Thermal protection, Quick charging protection

Dimensions: 140(W) × 46(H) × 129(D) mm / 5.52(W) × 2.01(H) × 1.82(D) inches

Weight: approx. 260g / 0.58lbs (w/o AC adapter and cable)

Design and specification are subject to change without notice.



IDX Company, Ltd. : 6-28-11 Shukugawara, Tama-ku, Kawasaki-shi, Kanagawa-ken 214-0021 Japan  
Tel: +81-44-850-8801 Fax: +81-44-850-8838 E-mail: idx.japan@idx.tv  
IDX System Technology, Inc. : 19001 Harbortgate Way, Suite 105, Torrance, CA 90501 USA  
Tel: +1-310-328-2850 Fax: +1-310-328-8202 E-mail: idx.usa@idx.tv  
IDX Technology Europe, Ltd. : Unit 9, Langley Park, Waterside Drive, Langley, Berkshire SL3 6EZ England  
Tel: +44-1753-547692 Fax: +44-1753-546660 E-mail: idx.europe@idx.tv

